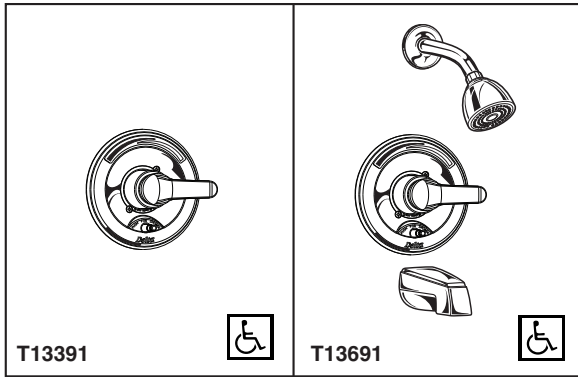


Tub and Shower Faucet Trim For Push Button Diverter

HDF®

DELTA
COMMERCIAL



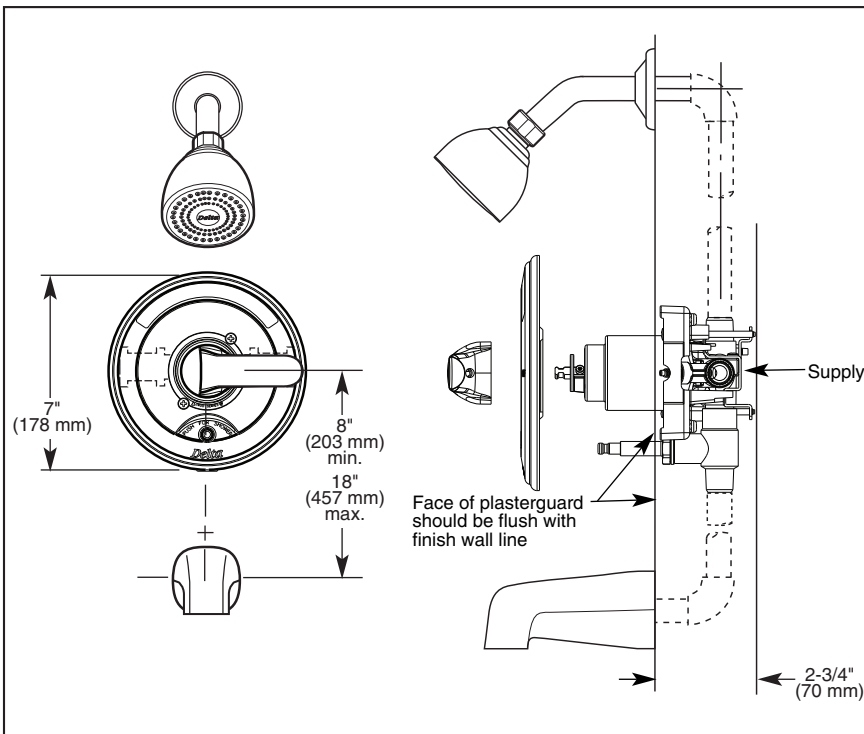
- Valve Only (T13391)
- Tub/Shower (T13691)

STANDARD SPECIFICATIONS:

- Monitor® 13 Series pressure balanced bath mixing valve with Scald-Guard®.
- Maintains a balanced pressure of hot and cold water even when a valve is turned on or off elsewhere in the system.
- For use with MultiChoice™ Universal rough valve body for push button diverter (R10300-UNWS).
- Back-to-back installation capability.
- Temperature only controlled with metal lever handle.
- Field adjustable to limit handle rotation into hot water zone.
- 120° maximum handle rotation.
- All parts replaceable from the front of the valve.
- Push Clean™ Showerhead/1 Spray Pattern (T13691).
- Metal Tub Filler (T13691).

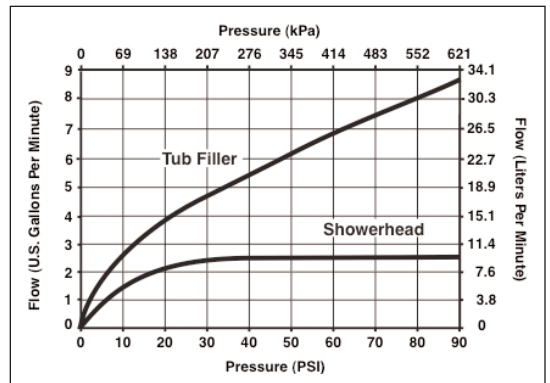
Submitted Model No.: _____

Specific Features: _____



COMPLIES WITH:

- ASME A112.18.1
- CSA B125
- Indicates ADA compliance to ICC/ANSI A117.1
- ASSE 1016



Delta reserves the right (1) to make changes in specifications and materials, and (2) to change or discontinue models, both without notice or obligation. Dimensions are for reference only. See current full-line price book or www.specselect.com for finish options and product availability.