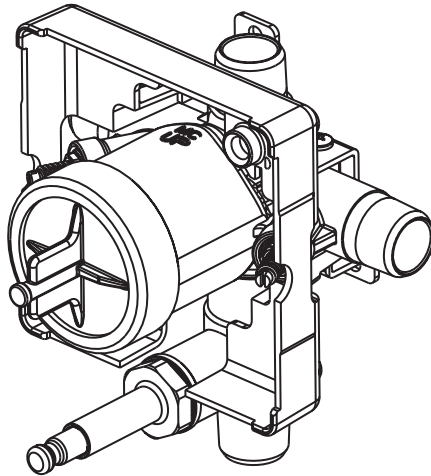


# MultiChoice® Universal Rough Valve Body For Push Button Diverter

**HDF®**  
COMMERCIAL



**R10300-UNWS**



■ R10300-UNWS

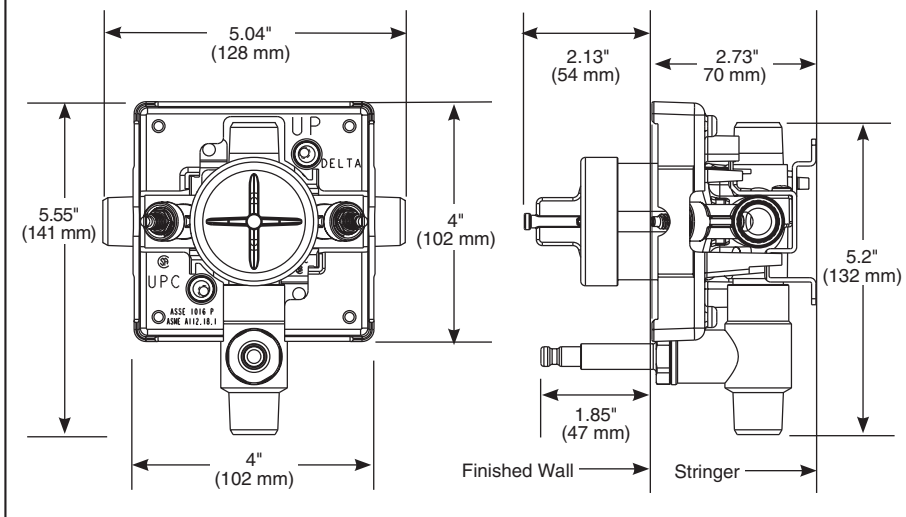
**STANDARD SPECIFICATIONS:**

- Forged brass body.
- Back-to-Back installation capabilities.
- Can be tested with air (200 PSI) or water (300 PSI) without valve using supplied test cap.
- Square plasterguard allows for right angle cuts.
- For use with MultiChoice® Universal single or dual function trim with push button diverter. Cartridge ships with trim.

Submitted Model No.: \_\_\_\_\_

Specific Features: \_\_\_\_\_

R10300-UNWS



**COMPLIES WITH:**

- ASME A112.18.1 / CSA B125.1

Delta reserves the right (1) to make changes in specifications and materials, and (2) to change or discontinue models, both without notice or obligation. Dimensions are for reference only. See current full-line price book or [www.specselect.com](http://www.specselect.com) for finish options and product availability.