

Electronic Washdown Urinal 1600T and 1601T Series

TECK[®]
COMMERCIAL



Specification: (example)

- **Battery** (4 'C' cell) or **Hardwire** (24 VAC) infrared electronic urinal flushing system
- Stainless steel cover with integral sensor utilizing H₂OPTICS™ technology and S/S vandal resistant mounting screws, metal mounting box
- Power function light, field selectable sensor range
- Electronic manual override
- Preset blocking time
- Slow closing solenoid valve, integral stop and...
- with... (add control/sensor box required)
- with... (transformer - specify separately - See Back Page)



**1600T9003RI and
1600T9003TR**

Engineer/Architect Approval

Model Specified:

Approval:

Date:

DESCRIPTION		PRODUCT NO.				
Hardwire	1600T	9	0	0		RI
Hardwire	1600T	9	0	0		TR
Battery	1601T	9	0	0		RI
Battery	1601T	9	0	0		TR
Hardwire with Battery Backup	1600T	9	0	0		RI
Hardwire with Battery Backup	1600T	9	0	0		TR

Note: Rough-in and Trim Ordered Separately.

-BB Required on "TR" Only.



NOT APPLICABLE		NOT APPLICABLE		CONTROL/SENSOR BOX	
0	<input checked="" type="checkbox"/>	0	<input checked="" type="checkbox"/>	0	<input type="checkbox"/>
1	<input type="checkbox"/>	1	<input type="checkbox"/>	1	For RECESSED MOUNTING - BACK INLET URINAL Components ASSEMBLED in 8" Box, w/Integral Sensor in S/S Cover, S/S Outlet Hose. SEE Specification Drawing #18 <input type="checkbox"/>
2	<input type="checkbox"/>	2	<input type="checkbox"/>	2	<input type="checkbox"/>
3	<input type="checkbox"/>	3	<input type="checkbox"/>	3	For RECESSED MOUNTING - TOP INLET URINAL (1) Components ASSEMBLED in 8" Box, w/Integral Sensor in S/S Cover. SEE Specification Drawing #18 <input type="checkbox"/>
4	<input type="checkbox"/>	4	<input type="checkbox"/>	4	<input type="checkbox"/>
5	<input type="checkbox"/>	5	<input type="checkbox"/>	5	<input type="checkbox"/>
6	<input type="checkbox"/>	6	<input type="checkbox"/>	6	Components only UNASSEMBLED (1) 4" Box w/Integral Sensor in S/S Cover SEE Specifications Drawing #19 (2) <input type="checkbox"/>
7	<input type="checkbox"/>	7	<input type="checkbox"/>	7	<input type="checkbox"/>
8	<input type="checkbox"/>	8	<input type="checkbox"/>	8	<input type="checkbox"/>
9	<input type="checkbox"/>	9	<input type="checkbox"/>	9	<input type="checkbox"/>

(1) When used for TOP Inlet Urinal Fixture - Exposed Tubing, Flanges, Elbow, etc. **SUPPLIED** by Others. (2) 1600T9006 & 1601T9006 ordered as complete product only. No RI or TR available. Refer to www.specselect.com for individual models. Note: Use this page front and back, with specification drawing page referenced above, as product submittal sheets.



TECK[®]
COMMERCIAL

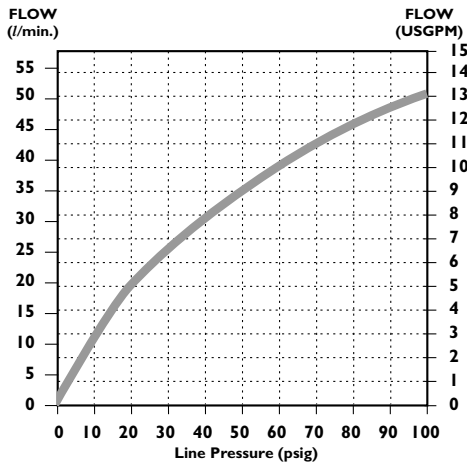
Electronic Washdown Urinal 1600T and 1601T Series

Approvals:

- CSA certified
- ADA Compliant and meets Handicapped Accessibility Standard ASME A117.1 of less than 5 lbs. handle operating force.
- IAPMO listed

(Contact Delta Representative for State and/or Local Approvals.)

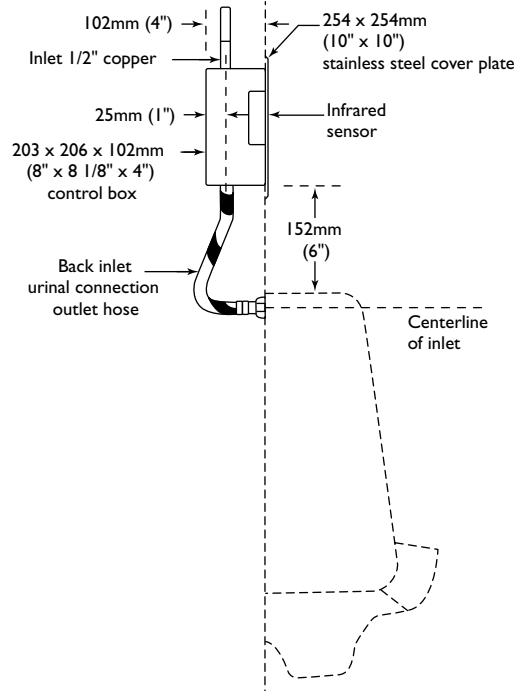
FLOWRATE vs PRESSURE



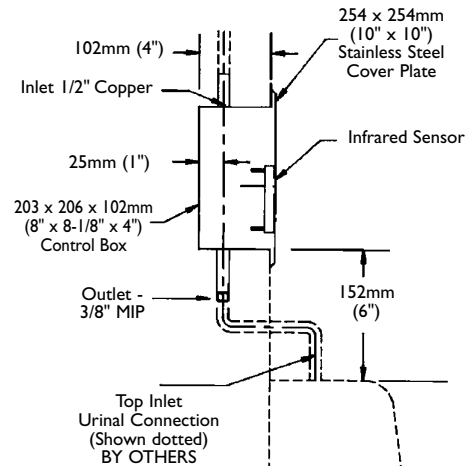
OPERATION:

- 8 second blocking time.
- Activation delay:
0 seconds on urinal applications
- Adjustable flush time 4 to 9 seconds
Factory set at 4 seconds
- Selectable sensing distance:
12 to 28" in 4" increments.
Factory set to 20"
- Adjustable 24 hour courtesy flush
factory set to on.

**1600T900IRI
and
1600T900ITR
Typical
Installation**



**1600T9003RI
and
1600T9003TR
Typical
Installation**



HARDWIRE WITH BATTERY BACKUP

Add suffix "-BB" to TR Product Number. See DSP-BB for detailed specification.

1600T ELECTRONIC FLUSH VALVE OPTIONAL ACCESSORIES:

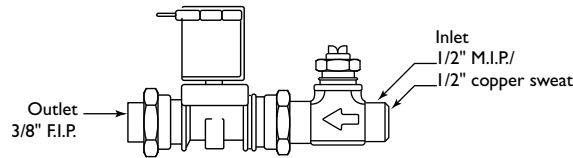
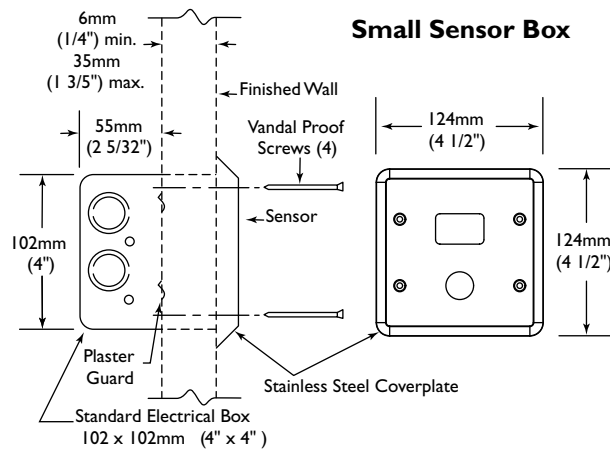
✓	TRANSFORMERS:
	060704A 110 to 24VAC Class II 20VA (For 5 Sensor Modules)
	060771A 110 to 24VAC Class II 40VA (Up to 10 Sensor Modules)
	060772A 110 to 24VAC Class II 100VA (Up to 25 Sensor Modules)
✓	CORDS:
	060680A 4' Solenoid Extension Wire
✓	HARDWIRE CONVERTER:
	060683A 24VAC to 6VDC Converter (Supplied standard on Hardwire models)
	061047A 24VAC to 6VDC Converter with Battery Backup (Standard on "-BB" models)

Note: Measurements may vary ± 6mm (0.25")

Refer to www.specselect.com for individual models. Product supplied as shown by solid lines. All items shown by dotted lines supplied by others.

COMPONENTS ONLY UNASSEMBLED
I600T and I601T SERIES

✓	PRODUCT NO.					FAUCET TYPE	COVER	
	I600T	9	0	0	6	Urinal Valve	124mm (4-7/8")	Stainless Steel
	I601T	9	0	0	6	Urinal Valve	124mm (4-7/8")	Stainless Steel
Note: Ordered as complete product only. No RI or TR available.								

**I600T9006 and
I601T9006
SERIES**

Slow closing solenoid valve AND Screwdriver stop

 Note: Measurements may vary $\pm 6\text{mm}$ (0.25")

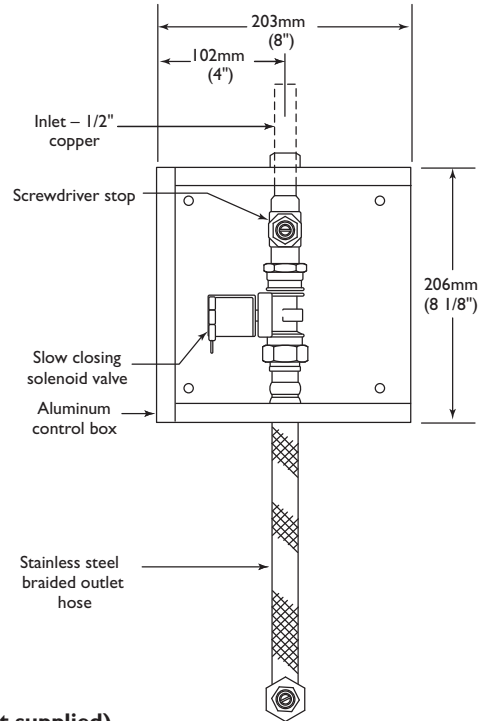
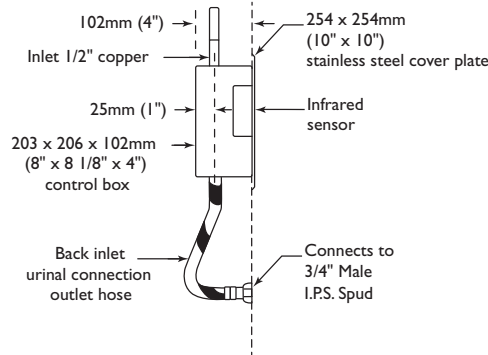
URINAL VALVE ASSEMBLED CONTROL BOX (RECESSED MOUNT)

1600T and 1601T SERIES

✓	PRODUCT NO.					VALVE TYPE	MOUNT TYPE	COVER	
	1600T	9	0	0	1	Back Inlet Urinal	Recessed Mount	254mm (10")	Stainless Steel
	1600T	9	0	0	3	Top Inlet Urinal	Recessed Mount	254mm (10")	Stainless Steel
	1601T	9	0	0	1	Back Inlet Urinal	Recessed Mount	254mm (10")	Stainless Steel
	1601T	9	0	0	3	Top Inlet Urinal	Recessed Mount	254mm (10")	Stainless Steel

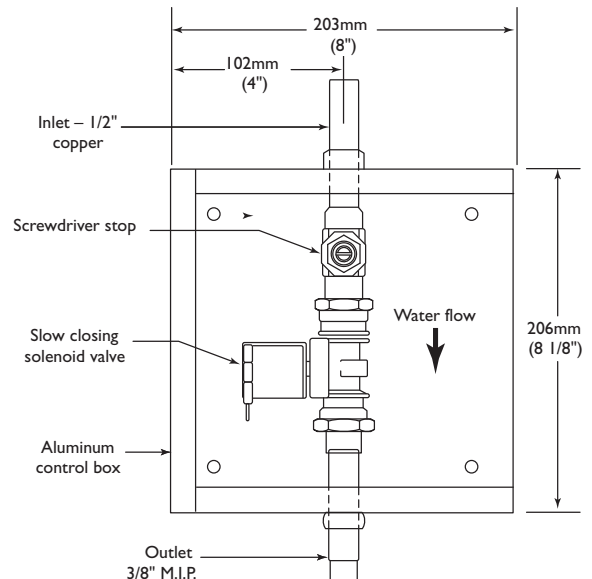
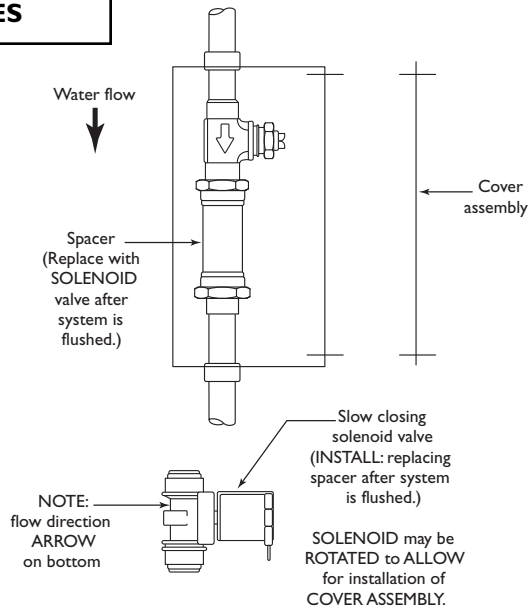
Note: Rough-in and Trim Ordered Separately

1600T9001 and 1601T9001 SERIES



1600T9003 and 1601T9003 SERIES

(Note: Top inlet urinal connections not supplied)



Note: Measurements may vary ± 6mm (0.25")